



MATERIAL

AISI 304 stainless steel, sandblasted matte finish.

STANDARD EXECUTIONS

- **EWNM-SST**: threaded blind hole.
- **EWNM-SST-FP**: threaded pass-through hole.
- **EWNM-SST-p**: threaded pin

FEATURES AND APPLICATIONS

These wing nuts allow high tightening torque values.

ERGONOMY AND DESIGN

The slightly concave marks on the wings help to position the fingers in order to apply the maximum force when tightening.

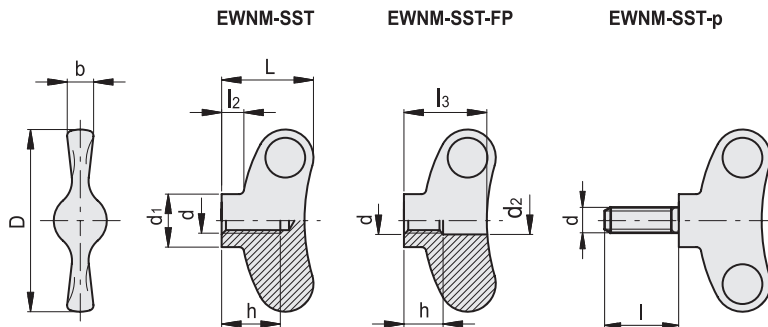
SPECIAL EXECUTIONS ON REQUEST

Different threadings.



ERGOSTYLE® ELESA Original design

Conversion Table 1 mm = 0.039 inch	
D	
mm	inch
40	1.57
48	1.89
55	2.16



EWNM-SST

INOX STAINLESS STEEL METRIC

Code	Description	D	d	L	d1	l2	b	h	△
222002	EWNM-SST-40-M5	40	M5	21	13.5	5.5	6.5	12	31
222004	EWNM-SST-40-M6	40	M6	21	13.5	5.5	6.5	12	31
222012	EWNM-SST-48-M6	48	M6	24	13.5	6	7	15	41
222014	EWNM-SST-48-M8	48	M8	24	13.5	6	7	15	40
222022	EWNM-SST-55-M8	55	M8	28	16	7	8	18	62
222024	EWNM-SST-55-M10	55	M10	28	16	7	8	18	61

EWNM-SST-p

INOX STAINLESS STEEL METRIC

Code	Description	D	d	L	d1	l	l2	b	△
222101	EWNM.40-SST-pM5x16	40	M5	21	13.5	16	5.5	6.5	32
222103	EWNM.40-SST-pM5x20	40	M5	21	13.5	20	5.5	6.5	36
222105	EWNM.40-SST-pM5x25	40	M5	21	13.5	25	5.5	6.5	40
222111	EWNM.40-SST-pM6x16	40	M6	21	13.5	16	5.5	6.5	35
222113	EWNM.40-SST-pM6x20	40	M6	21	13.5	20	5.5	6.5	42
222115	EWNM.40-SST-pM6x25	40	M6	21	13.5	25	5.5	6.5	46
222131	EWNM.48-SST-pM6x16	48	M6	24	13.5	16	6	7	44
222133	EWNM.48-SST-pM6x20	48	M6	24	13.5	20	6	7	50
222135	EWNM.48-SST-pM6x25	48	M6	24	13.5	25	6	7	54
222141	EWNM.48-SST-pM8x16	48	M8	24	13.5	16	6	7	46
222143	EWNM.48-SST-pM8x20	48	M8	24	13.5	20	6	7	50
222145	EWNM.48-SST-pM8x25	48	M8	24	13.5	25	6	7	52
222161	EWNM.55-SST-pM8x20	55	M8	28	16	20	7	8	55
222163	EWNM.55-SST-pM8x25	55	M8	28	16	25	7	8	58
222165	EWNM.55-SST-pM8x30	55	M8	28	16	30	7	8	61
222171	EWNM.55-SST-pM10x20	55	M10	28	16	20	7	8	53
222173	EWNM.55-SST-pM10x25	55	M10	28	16	25	7	8	56
222175	EWNM.55-SST-pM10x30	55	M10	28	16	30	7	8	60

EWNM-SST-FP

INOX STAINLESS STEEL METRIC

Code	Description	D	d	d2 H13	L	d1	l2	l3	b	h	△
222001	EWNM-SST-40-FP-M5	40	M5	5.3	21	13.5	5.5	19	6.5	8	30
222003	EWNM-SST-40-FP-M6	40	M6	6.4	21	13.5	5.5	19	6.5	10	29
222011	EWNM-SST-48-FP-M6	48	M6	6.4	24	13.5	6	22	7	10	40
222013	EWNM-SST-48-FP-M8	48	M8	8.4	24	13.5	6	22	7	13	39
222021	EWNM-SST-55-FP-M8	55	M8	8.4	28	16	7	25	8	13	59
222023	EWNM-SST-55-FP-M10	55	M10	10.5	28	16	7	25	8	16	57